

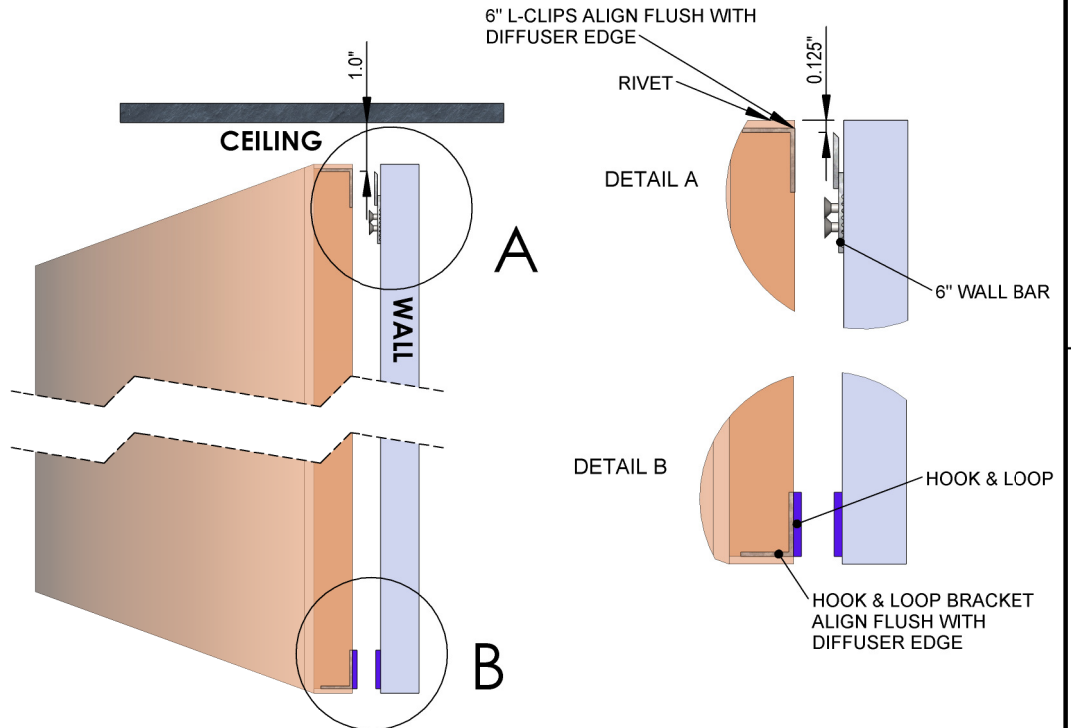
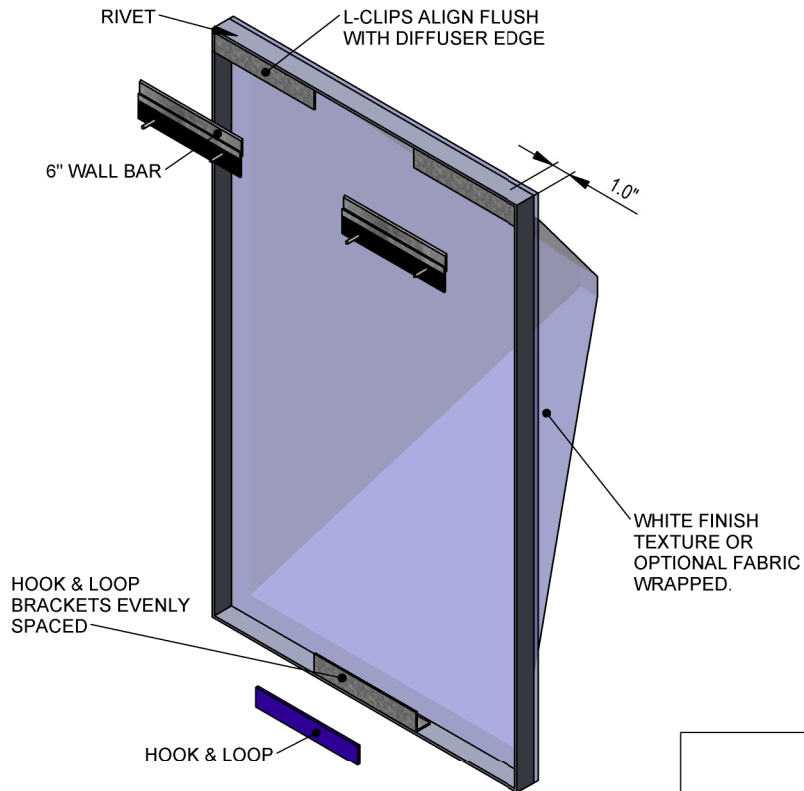
THE FOLLOWING INSTRUCTIONS ARE NOT INTENDED TO BE A STEP BY STEP INSTALLATION CHECKLIST. IT IS ASSUMED THE INSTALLER HAS GENERAL CONSTRUCTION KNOWLEDGE. WINROC-SPI ASSUMES RESPONSIBILITY FOR INSTALLATION ACTIONS TAKEN OR NOT TAKEN AND IS NOT RESPONSIBLE FOR INSTALLER SELECTION.

DO NOT INSTALL PRODUCT OF UNACCEPTABLE QUALITY. CONTACT YOUR AREA WINROC-SPI REPRESENTATIVE IMMEDIATELY. WE WILL NOT BE RESPONSIBLE FOR INSTALLATION OR REMOVAL COSTS OF UNACCEPTABLE PRODUCT.

WALL MOUNTED BARREL AND PYRAMIDAL DIFFUSERS

INSTALLATION INSTRUCTIONS

1. USING THE 6" L-CLIPS AS A TEMPLATE, DRILL 1/8" POP-RIVET HOLES IN THE FRONT, TOP EDGE OF THE DIFFUSER. HOLES SHOULD BE DRILLED FROM THE FINISHED SIDE AND LOCATED SO THE CLIP FACE IS FLUSH WITH THE DIFFUSER EDGE.
2. DRILL 1/8" POP-RIVET HOLES FOR HOOK & LOOP BRACKET IN SIMILAR MANNER. (DIAGRAMS INDICATE LOCATIONS)
3. INSTALL L-CLIPS AT TOP OF DIFFUSER AND HOOK & LOOP BRACKETS AT THE OF DIFFUSER BOTTOM WITH WHITE-HEAD POP-RIVETS. INSTALL POP-RIVET FROM FINISH SIDE.
4. MOUNT 6" WALL BAR TO WALL STRUCTURE USING APPROPRIATE FASTENERS. TOP OF WALL BAR SHOULD BE LOCATED 1/8" BELOW DESIRED HEIGHT OF DIFFUSER. ALLOW A 1" MINIMUM CLEARANCE ABOVE TOP OF WALL BAR TO ENGAGE L-CLIP ON WALL BAR.
5. PEEL OFF RELEASE BACKER OF HOOK & LOOP TO EXPOSE ADHESIVE AND INSERT L-CLIPS ONTO WALL BRACKETS. WITH L-CLIPS ENGAGED, LEVEL AND ADJUST POSITION. PRESS BOTTOM OF DIFFUSER TO WALL TO ADHERE HOOK & LOOP BRACKET.



DIFFUSER PARTS LIST (UP TO 48" X 48")

2 - 6" WALL BARS
 2 - 6" L-CLIPS
 1 - 6" HOOK & LOOP BRACKET
 LOCATE AND INSTALL AS SHOWN.



WALL MOUNTED BARREL AND PYRAMIDAL DIFFUSERS INSTALLATION INSTRUCTIONS

SIZE A	DWG. NO. 20000721	REV
------------------	-----------------------------	-----

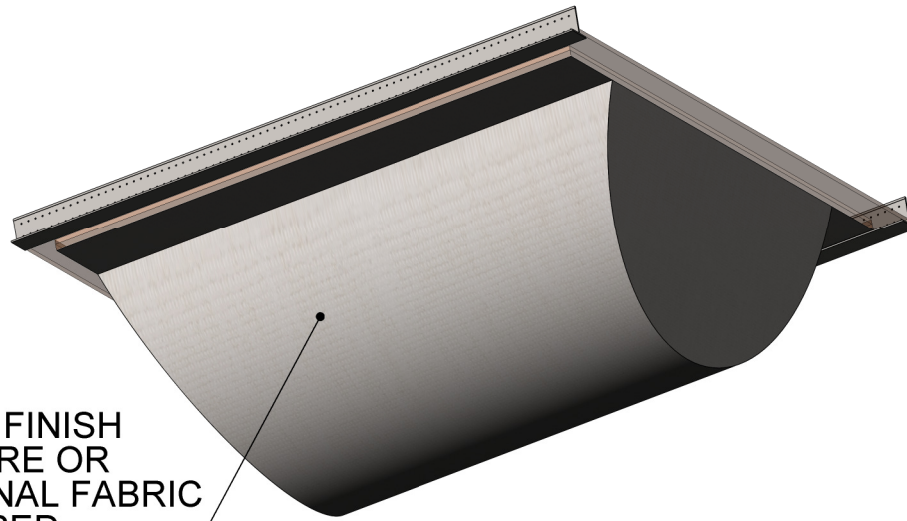
APR. 3, 2015

SCALE-NTS

DRWN BY: ZCH

SHEET 1 OF 2

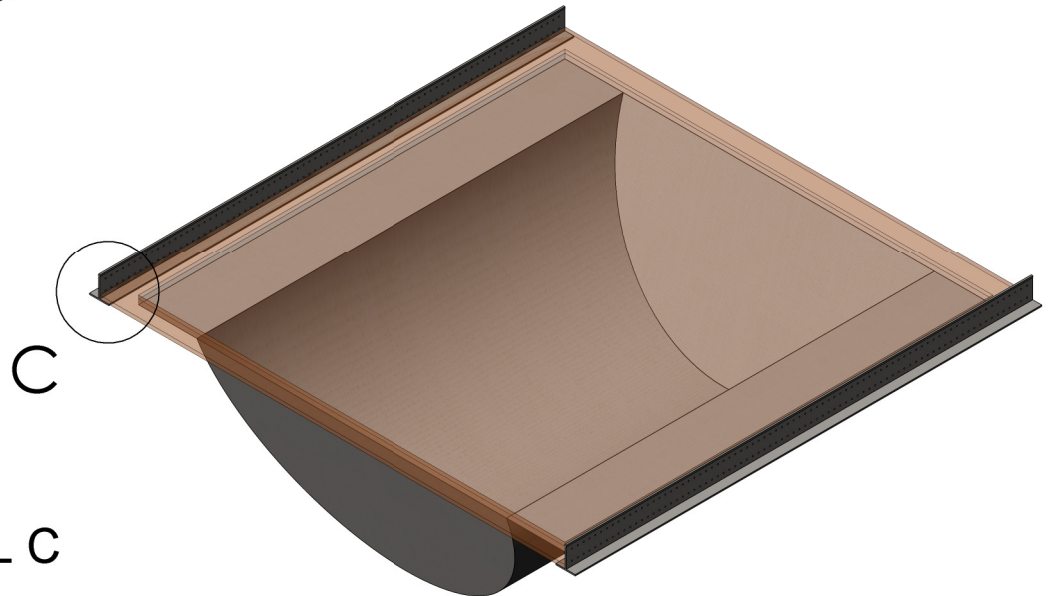
CEILING GRID BARREL AND PYRAMIDAL DIFFUSERS



WHITE FINISH
TEXTURE OR
OPTIONAL FABRIC
WRAPPED.

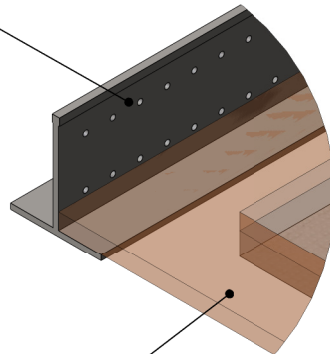
INSTALLATION INSTRUCTIONS

1. DIFFUSERS ARE AVAILABLE WITH OPTIONAL FLANGE FOR CEILING 15/16" T-BAR GRID LAY-IN INSTALLATION.
2. DIFFUSER DIMENSIONS ARE SLIGHTLY REDUCED TO FIT INSIDE STANDARD 15/16" GRID DIMENSION.
3. TO ENSURE PROPER LOCATION AND ORIENTATION FOLLOW REFLECTED CEILING PLANS.



C

15/16" T-BAR
CEILING GRID



FLANGE

DETAIL C



CEILING GRID BARREL AND PYRAMIDAL DIFFUSERS INSTALLATION INSTRUCTIONS

SIZE
A

DWG. NO.
20000722

REV

APR. 3, 2015

SCALE-NTS

DRWN BY: ZCH

SHEET 2 OF 2